



## S.Enclosure for control

### Protection mode:

Type of protection: II 2GD EEx d IIC / Ex td A21  
 Class of temperature: T6-T4  
 Protection degree: IP66  
 Ambient Temp : -20 / +40°C  
 Zones : 1-2-21-22  
 Certificate: BVI 07 ATEX 0022

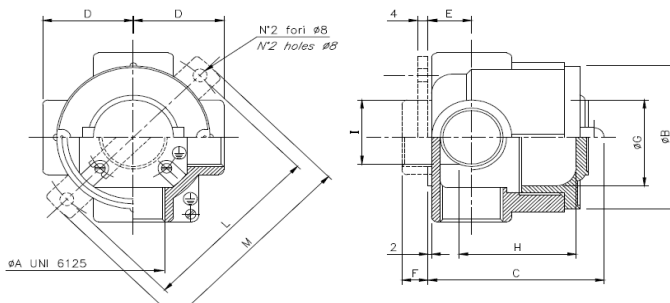
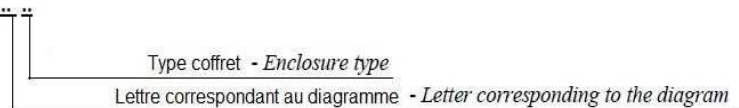


### Description:

Enclosure in light alloy suitable for containing the electrical apparatuses of command, command, measure and regulation.  
 External bolts and screws in stainless steel and RAL700 external epoxyvinyl coating.

### Technical drawing:

Type: S



Type	SCF	SLF	STF	SXF
S.,14	*	**	*	*
S.,24	*	*	*	*
S.,26	**	*	*	*
S.,36	**	**	*	*

\*Models available

\*\* Models unavailable

### Dimensions table:

Schema Diagram	SCF				SLF				STF				SXF			
	øA		Dimensions externe		Dimensions interne		Elect App,		Poids (g)							
Code	External dimensions		internal dimensions				Weight(g)									
	B	C	D	M	E	F	G	H	I							
S..14	1/2	40	61	70	87	50	47	8	45	45	350					
S..24	3/4	40	61	70	87	50	47	8	45	45	305					
S..26	3/4	50	66	90	108	70	47	8	65	45	490					
S..36	1	50	73	90	108	70	57	8	65	55	520					

Others size and holes on request