



RE. Reducers

Protection mode:

Type of protection: EEx d IIC
 Class of temperature: T6
 Protection degree:
 Certificate: CESI 02 ATEX 049



Description:

The RE/REB reducers allow the connection to ends of different diameters, both they are male threaded and female threaded.

They are used to adapt the diameter between different entries.

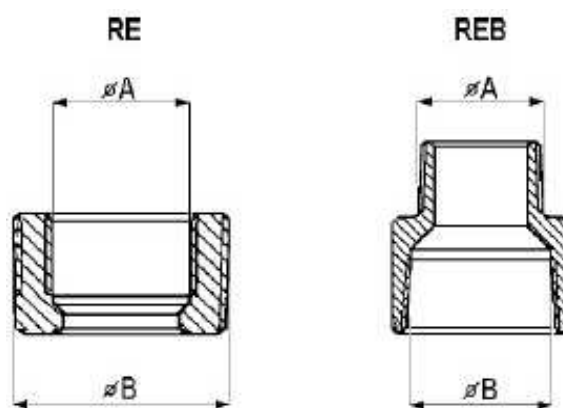
Technicals data:

Matériaux:
 Corps: acier zingué.

Filetage:
 UNI 6125 (ISO 7/1).

Sur demande:
 Version en laiton, aluminium, acier inoxydable.
 Adaptateurs pour la connexion entre filetages de type et diamètre différent.

Technical drawing:



REB		Lower diameter "A" male									
		1/2"	3/4"	1"	1.1/4"	1.1/2"	2"	2.1/2"	3"	4"	
Ø B	3/4"	REB 21									
	1"	REB 31	REB 32								
	1.1/4"	REB 41	REB 42	REB 43							
	1.1/2"	REB 51	REB 52	REB 53	REB 54						
	2"	REB 61	REB 62	REB 63	REB 64	REB 65					
	2.1/2"	REB 71	REB 72	REB 73	REB 74	REB 75	REB 76				
	3"	REB 81	REB 82	REB 83	REB 84	REB 85	REB 86	REB 87			
	4"	REB 101	REB 102	REB 103	REB 104	REB 105	REB 106	REB 107	REB 108		
	5"	REB 121	REB 122	REB 123	REB 124	REB 125	REB 126	REB 127	REB 128	REB 1210	

RE		Lower diameter "A" female									
		1/2"	3/4"	1"	1.1/4"	1.1/2"	2"	2.1/2"	3"	4"	
Ø B	3/4"	RE 21									
	1"	RE 31	RE 32								
	1.1/4"	RE 41	RE 42	RE 43							
	1.1/2"	RE 51	RE 52	RE 53	RE 54						
	2"	RE 61	RE 62	RE 63	RE 64	RE 65					
	2.1/2"	RE 71	RE 72	RE 73	RE 74	RE 75	RE 76				
	3"	RE 81	RE 82	RE 83	RE 84	RE 85	RE 86	RE 87			
	4"	RE 101	RE 102	RE 103	RE 104	RE 105	RE 106	RE 107	RE 108		
	5"	RE 121	RE 122	RE 123	RE 124	RE 125	RE 126	RE 127	RE 128	RE 1210	