



RL Pilot light

Protection mode:

Type of protection: II 2 GD - EEx d IIC
Class of temperature: T6-T4
Protection degree: IP 67



Description:

The pilot light RL1 has a body . 1 h ISO 228 to be screwed on one entry; couplings fixed by loctite or similar.

Complete with E14 lampholder for 16x35 incandescent lamp or LED.

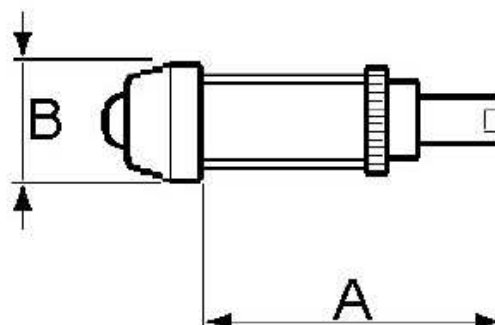
Pilot light applicable on EJB, GUB, EFD boxes or EExd

Technical data:

Materials:

Body: nickel plated brass.
Glass: thermoresistant tempered glass.
On request:
Lamp or LED.

Technical drawing:



Dimensions table:

Type	Lampholder	Maximum power (W)	Maximum voltage (V)	Available colours	Dimensioni (mm)		
					Thread	A	B
RL 1	E 14	5W	380 V	Red Green Yellow White Blue	1" ISO 228	75	40
RL 2	Ba9s	3W	380 V	Red Green Yellow White Blue	1/2" ISO 228	52	25