



PALD Cable gland for armoured cable

Protection mode:

Type of protection: II 2 GD EEx d IIC EExe II
 Class of temperature: T6-T1
 Protection degree: IP 66
 Certificate: INERIS 03 ATEX 196X

Description:

Cable gland consists of body (1), inner seal (2), armour clamping rings/seal holder (3), gland middle body (4), lead ring (5), outer seal/washer (6) and gland nut (7). IP 66 sense of the equipment. For armoured cable and lead sheathed cable, under armour seal and externally, armour and lead earthing.



Technical data:

Materials:

*=BK: nickel plated brass.
 *=S: stainless steel (AISI 304/316).
 Gaskets: EPDM 50-60 shore.

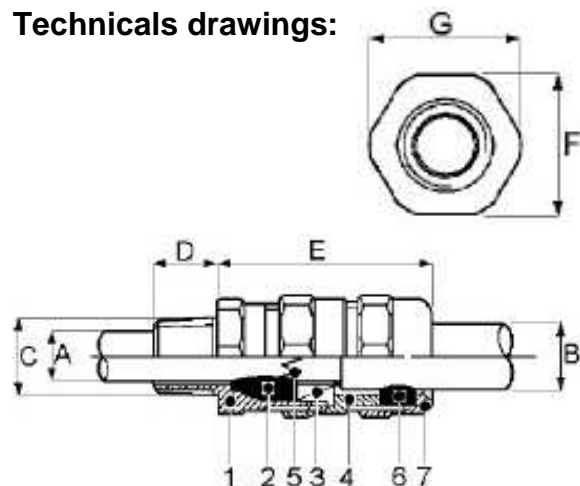
Ambient temperature:

-40 / +100 °C

On request:

Sealing gasket (GPS) - Counter nut (DL/BK).
 External rubber shroud against dust (CP)
 Earthing tag (ETI).
 Blue gland nut (for intrinsic safety circuits).
 ** Other types of threads: NPT / PG / ISO
 Mx1.5 / ISO 228

Technical drawings:



| Type | Ø C UNI 6125 | Cable sizes (mm) | | | | Cable gland sizes (mm) | | | |
|---------|-----------------|----------------------|----------------------|----------|----------|------------------------|----|----|----|
| | | A | | B | | D | E | F | G |
| | | min. | max. | min. | max. | | | | |
| PALD#1 | 1/2" | 4,5 6 8,5 | 6 8,5 11 | 10 14 | 15 19 | ** | 65 | 32 | 35 |
| PALD#12 | 3/4" | 4,5 6 8,5 | 6 8,5 11 | 10 14 | 15 19 | ** | 65 | 32 | 35 |
| PALD#2 | 3/4" | 8,5 11 13,5 | 11 13,5 16 | 15 19 | 20 24 | ** | 65 | 36 | 39 |
| PALD#3 | 1" | 13 16 19 | 16 19 22 | 20 25 | 26 31 | ** | 82 | 45 | 49 |
| PALD#4 | 1.1/4" | 19 22 25 | 22 25 28 | 26 31 | 32 37 | ** | 83 | 50 | 55 |
| PALD#5 | 1.1/2" | 22 25 28 31 | 25 28 30 34 | 31 36 | 37 43 | ** | 83 | 57 | 62 |
| PALD#6 | 2" | 34 37 40 | 37 40 43 | 42 47 | 48 53 | ** | 83 | 67 | 73 |
| PALD#7 | 2.1/2" | 43 46 49 | 46 49 52 | 52 58 | 58 64 | ** | 83 | 80 | 88 |