



GUB 00/. Operating manipulators

Protection mode:

Type of protection: II 2 GD EEx d IIC
 Class of temperature: T6-T5-T4-T3
 Protection degree: IP 65
 Certificates: INERIS 01 ATEX 0057
 INERIS 01 IEC 0003



Description:

The GUB 00/. enclosures are square shaped and have threaded cover with rotative handle for manipulator.

To contain motor control manipulators normally mounted on supports COL type.

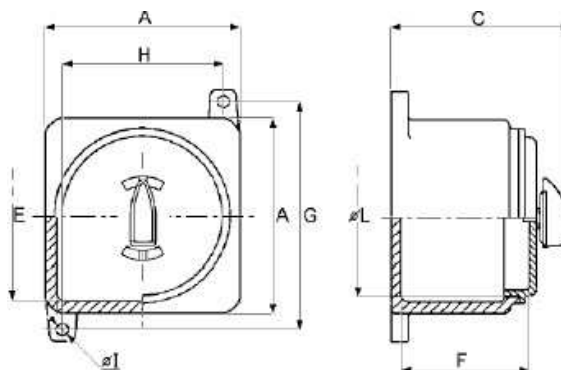
Technical data:

Ambient temperature:
 -20 +60 °C (+40 / +60 °C).

Materials:
 Body and cover: aluminium alloy.
 Screws: stainless steel.

On request:
 Lockable handle.
 Other epoxy painting colors different by the standards.
 Inhibiting treatment for salt mist.

Technical drawing:



Type	Dimensions (mm)						Fixing (mm)		
	External			Internal			G	H	øI
	A	C	øD	E	øL	F			
GUB 00	119	137	170	92	97	98	145	95	2 X 8

- Ajouter la lettre des schémas ci-dessous.

Schémas électriques manipulateur			
Télé-inverseurs		Commande télé rupteurs	
Y		R	
Commande interrupteurs e électrovannes		Commande manuel - automatique	
W		Z	