



## ELF Bend series 90°

### Protection mode:

Type of protection: II 2 GD EEx d IIC



### Description:

The ELF elbows are composed by aluminium alloy body with two threaded entries assembled at 90°. In order to obtain one (ELMF) or two male ends (ELM), it is necessary to screw on the entries one or two nipples. The ELF elbows are used in equipments to change the direction of pipes.

### Technical data:

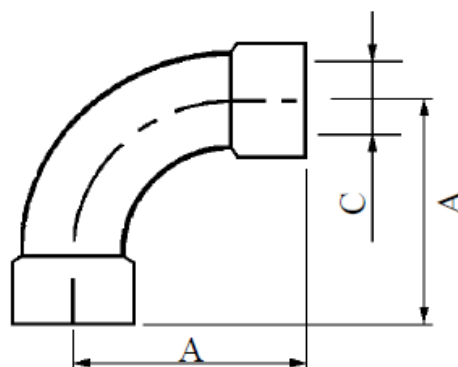
#### Materials:

Body: aluminium alloy.

#### Thread:

UNI 6125 (ISO 7/1).

### Technical drawing:



### Dimensions table:

Ø"	Dimensions		Weight (g)	CEI UNEL 95132	Code
	A	B			
1/2	57	12	140	-	<b>ELF 15</b>
3/4	57	18	110	CFF 2	<b>ELF 25</b>
1	70	24	175	CFF 3	<b>ELF 35</b>
1.1/4	85	30	400	-	<b>ELF 45</b>
1.1/2	85	36	430	CFF 5	<b>ELF 55</b>
2	100	48	580	-	<b>ELF 65</b>
2.1/2	115	63	870	-	<b>ELF 75</b>
3	135	73	1490	-	<b>ELF 85</b>