



EJB0/SM

Protection mode:

Type of protection: II 2 GD – Eex d IIB
 Class of temperature: T6-T5
 Protection degree: IP65

Description:

The EJB0/SM enclosures are rectangular shaped and have flanged cover on which the overload cutout switches are fitted.
 To contain thermal magnetic overload cutout switches from 0.4 to 25A.



Technical data:

Ambient temperature:

-20 +60 °C (+40°C)

Materials:

Body and cover: aluminium alloy.

Screws: stainless steel.

Silicone grease IP 65.

Threads:

ISO7/1-UNI6125

NPT (ANSI B1.20.1)

ISO228-UNI338

Mx1.5 (ISO261)

PG (DIN 40430)µ

Inhibiting treatments:

Standard powder epoxy painting like RAL 7005

On request:

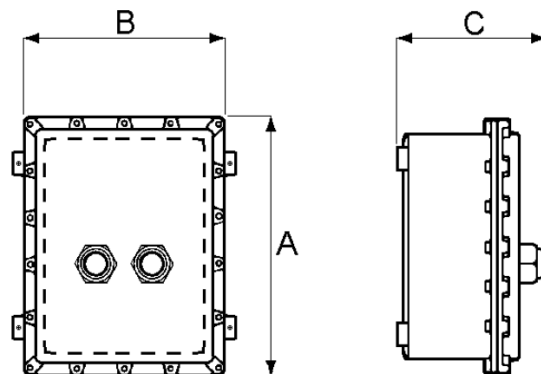
Release coil.

Auxiliary contacts.

Other epoxy painting colours different by the standards.

Inhibiting treatments for salt mist.

Technical drawing:



Dimensions table:

Type	Amp. rating	short-circuit rating				External dimensions (mm)		
		220/240 V	380/415 V	500 V	660/690 V	A	B	C
EJB 0 / SM 1	0.4 - 0.6 A	100 KA	100 KA	100 KA	100 KA	196	128	169
EJB 0 / SM 2	0.6 - 1.0 A	100 KA	100 KA	100 KA	100 KA	196	128	169
EJB 0 / SM 3	1.0 - 1.6 A	100 KA	100 KA	3 KA	1.5 KA	196	128	169
EJB 0 / SM 4	1.6 - 2.5 A	100 KA	100 KA	3 KA	1.5 KA	196	128	169
EJB 0 / SM 5	2.5 - 4.0 A	100 KA	100 KA	3 KA	1.5 KA	196	128	169
EJB 0 / SM 6	4.0 - 6.3 A	100 KA	4 KA	3 KA	1.5 KA	196	128	169
EJB 0 / SM 7	6.3 - 10 A	6 KA	4 KA	3 KA	1.5 KA	196	128	169
EJB 0 / SM 8	10 - 16 A	6 KA	4 KA	3 KA	1.5 KA	196	128	169
EJB 0 / SM 9	16 - 20 A	6 KA	3 KA	1.5 KA	1 KA	196	128	169
EJB 0 / SM 10	20 - 25 A	6 KA	3 KA	1.5 KA	1 KA	196	128	169