



## DMT2C. Electronic earthing system

### Protection mode:

Type of protection: II 2 GD EEx d [ia] IIB  
 Class of temperature: T6  
 Protection degree: IP 65

### Description:

DMT 2C is composed by an electronic device resistance/capacity type and by an earthing clamp complete with 8m of cable to measure and check the continuity towards the earth with the aim to eliminate the electrostatic charges. The allowing and the real earthing of the connected lump, happen only if the object connected to the clamp has both resistance and capacity towards the earth over predetermined



Checking these controls, the DMT2B system avoids to give the consent if the clamp is connected to lumps already connected to earth (resistance towards low earth) or to small size conductivity lumps (capacity towards low earth). It is possible to select the way of working only for resistance or the threshold capacity value for the consent, by jumpers placed on the electronic card. It is also possible to set the system to ignore the minimum threshold of the resistance to be measured; so it is possible to give the consent also in case the connected object is already connected to earth (for example in case of railway trucks). The outgoing towards the clamp is intrinsically safe.

### Technical data:

#### Materials:

External enclosure: body and cover in aluminium alloy.  
 Screws: stainless steel.  
 Cable: 8m 3x3 mm<sup>2</sup> hydrocarbon resistant.  
 Silicone grease for IP65.

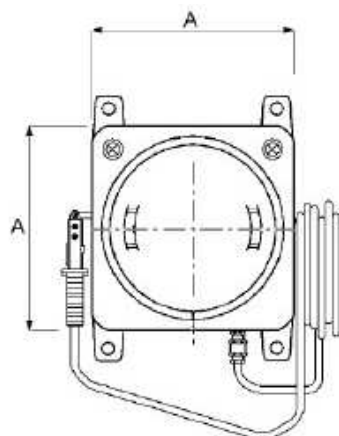
#### Cables entry:

N° 3 entries . 3/4 h UNI 6125 (ISO 7/1).

#### On request:

Supply 110V - 50Hz.  
 Version with 20m of cable.  
 Version for maximum ambient temperature +50 °C.

### Technical drawing:



### Dimensions table:

Type	Dimensions (mm)		Fixing (mm)			Weight
	A	B				
DMT 2C	360	360	395	318	M 10	25 Kg