



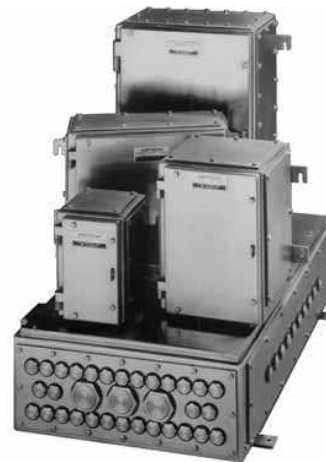
Coffret Stainless steel SSX ATEX

Protection mode:

Type of protection: II 2GD EEx e II
Class of temperature: T6
Protection degree: IP 66 / 67 / 68

Description:

The SX range comprises 14 sizes of enclosure manufactured in either mild steel or stainless steel. Depending on the enclosure size they are available in standard depths of 140, 200 or 300mm and can be fitted with removable gland plates on any or all of the four sides.



Technical data:

Ambient temperature:
-40/+80°

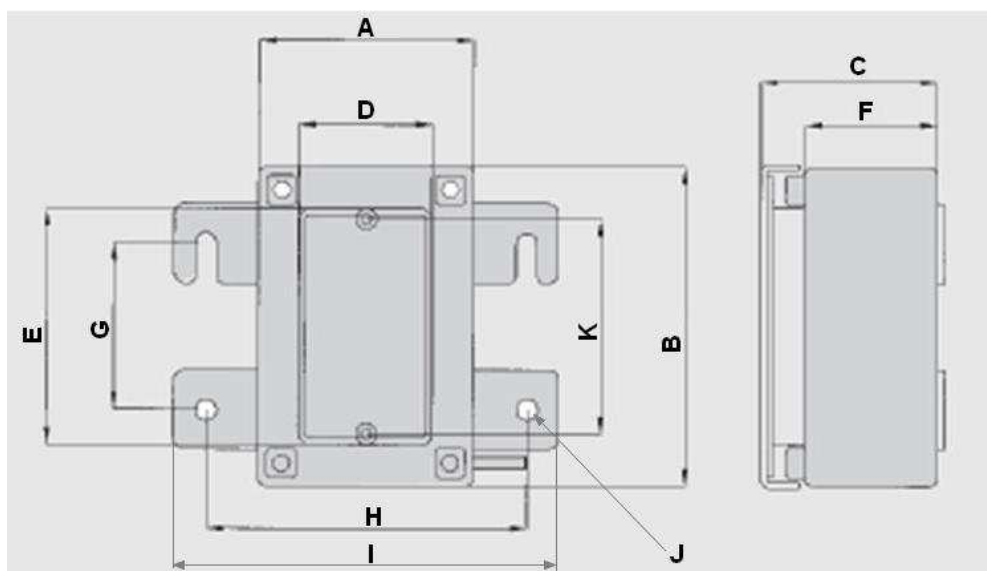
Materials:
Body and screws : Stainless steel 316.

On request:
Entries may also be drilled through the rear face of the enclosure (EEx'e' versions also.)

Certification :

ATEX EEx e (Zone 1 & 2) BS EN 60079-7) BS EN 60079-7
ATEX EEx nA (Zone 2) BS EN 60079-15
ATEX EEx nR (Zone 2) BS EN 60079-15
CSA – Ex e (Class 1 Zone 1 & 2)
FM – Aex e (Class 1 zone 1 & 2)
GOST-R Ex e (Zone 1 & 2)
NEMA 4X (CSA, UL & FM) (Class 1 division 2)

Technical drawing:





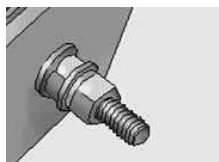
Coffret Stainless steel SSX ATEX

Dimensions table:

Type	Dimensions (mm)										
	A	B	C	D	E	F	G	H	I	øJ	K
SSX 45	114	114	51	71	71	51	79	145	175	8	65
SSX 64	102	152	87	59	108	63	79	152	182	11	102
SSX 66	152	152	126	108	108	102	79	202	232	11	102
SSX 0	152	229	165/225	88	165	140/200	131	202	232	11	129
SSX 0.5	184	274	165/225	120	210	140/200	124	234	264	11	174
SSX 1	234	324	165/225	170	260	140/200	174	284	314	11	224
SSX 1.5	306	306	165/225	242	242	140/200	156	356	386	11	206
SSX 2	372	324	165/225	308	260	140/200	174	422	452	11	224
SSX 3	372	448	165/225	308	384	140/200	298	422	452	11	348
SSX 4	372	510	165/225	308	446	140/200	360	422	452	11	410
SSX 5	510	510	165/225	446	446	140/200	360	560	590	11	410
SSX 6	510	780	165/225/325	446	716	140/200/300	580	560	590	11	680
SSX 7	650	950	165/225/325	586	886	140/200/300	750	700	730	11	850
SSX 8	800	1250	165/225/325	736	1186	140/200/300	1050	850	880	11	1150



GP
Gland plates.
(Please specify sides to be fitted)



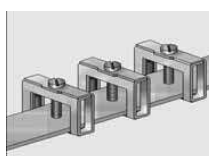
ES
Earth Stud fitted to door and gland plates. (If fitted - specify size req.)



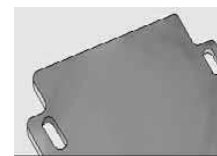
LB
Label bracketed.
(Welded to door - specify size)



EL
Electro-polished.
(External surface 316 SS only)



E
Internal earthing bar.
(Can be fitted with clamps)



M
Component mounting plate.
(Steel or stainless steel)