



## CSP/X Coffret sans charnières

### Protection mode:

Type of protection: II 2 D - EEx e II / EEx d II  
 Class of temperature: T6-T5  
 Protection degree: IP 65  
 Certificate: INERIS 05 ATEX 0043

### Description:

The CSP/X enclosures are squared or rectangular shaped and they have a cover with kasket which is connected to the body of the enclosures by screws.  
 Thickness of the wall = 1.5mm



### Technicals data:

#### Materials :

Boby and Cover: Stainless steel AISI 304.

Equipment plate: galvanized steel.

Gasket: Neoprene.

#### On request :

Stainless steel AISI 316L

Equipment plate made in stainless steel

Components (pushbuttons, pilotlights, switches, ...)

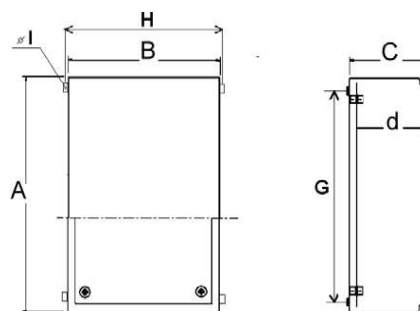
Drain / Breath valve

Window

Wiring

Cable glands

### Technical drawing:



Type	Dimensions (mm)								
	External			Fixing			Height	Equipment Plate	
	A	B	C	G	H	øl	d	h	w
CSP / X1	150	150	80	100	200	10	58	100	135
CSP / X1A	150	150	120	100	200	10	98	100	135
CSP / X2	150	300	80	250	200	10	58	285	135
CSP / X2A	150	300	120	250	200	10	98	285	135
CSP / X3	200	200	120	150	250	10	98	185	150
CSP / X4	200	300	120	250	250	10	98	285	150
CSP / X5	300	300	120	250	350	10	98	285	250
CSP / X6	200	400	120	350	250	10	98	385	150
CSP / X7	300	400	120	350	350	10	98	385	250
CSP / X8	400	400	120	350	450	10	98	385	350
CSP / X9	200	500	120	450	250	10	98	485	150
CSP / X10	300	500	120	450	350	10	98	485	250
CSP / X11	200	600	120	550	250	10	98	585	150
CSP / X12	300	600	120	550	350	10	98	585	250
CSP / X13	400	600	120	550	450	10	98	585	350
CSP / X14	400	800	120	750	450	10	98	785	350