



CSA/XX Stainless steel with hinges

Protection mode:

Type of protection: II 2 GD - EEx e II / EEx de IIC
 Class of temperature: T6-T5
 Protection degree: IP 65
 Certificate: INERIS 05 ATEX 0035
 Ambient Temp : -25 / +60°C
 Zones : 1-21-2-22



Description:

The CSA/XX enclosures are square or rectangular shaped and have the cover with gasket which is connected to the body of the enclosure by stainless steel hinges. Cover opening at 130° angle, with keylocks. Wall thickness = 1,5mm. To contain and/or visualize modular EEx-e terminals and components.

Technical data:

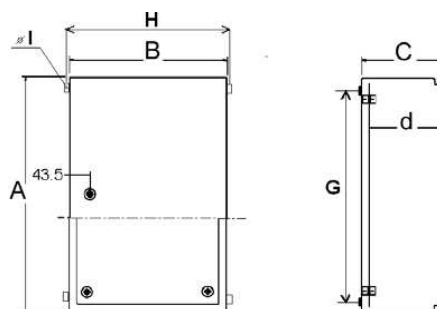
Materials:

Body and cover: stainless steel AISI 304.
 Equipment plate: galvanized steel.
 Gasket: neoprene.
 Screws: stainless steel.

On request:

Rail and terminals.
 Components (pushbuttons, pilot lights, switches, ...)
 Window for instrument visualization.
 Stainless steel equipment plate.
 Draining valve.
 AISI 316L version.

Technical drawing:



Type	Dimensions (mm)								
	External			Fixing			Height	Equipment Plate	
	A	B	C	G	H	∅l	d	h	w
CSA / XX1	300	200	155	230	240	12	135	250	170
CSA / XX2	400	300	155	330	340	12	135	350	270
CSA / XX3	400	400	210	330	440	12	190	350	370
CSA / XX4	500	500	210	430	540	12	190	450	470
CSA / XX5	600	400	210	530	440	12	190	550	370
CSA / XX6	600	600	210	530	640	12	190	550	570
CSA / XX6A	600	600	300	530	640	12	280	550	570
CSA / XX7	800	600	210	730	640	12	190	750	570
CSA / XX7A	800	600	300	730	640	12	280	750	570
CSA / XX8	800	800	210	730	840	12	190	750	770
CSA / XX8A	800	800	300	730	840	12	280	750	770
CSA / XX9	1000	800	300	930	840	12	280	950	770
CSA / XX10	1200	600	300	1130	640	12	280	1150	570
CSA / XX11	1200	800	300	1130	840	12	280	1150	770
CSA / XX11A	1200	800	400	1130	840	12	380	1150	770
CSA / XX12	1400	800	400	1130	840	12	380	1350	770