



## CCF. Cast Iron enclosure

### Protection mode:

Type of protection: 2GD M 2 EEx d / EEx d ia IIB + H2  
EEx d I  
Class of temperature: T3-T4T5-T6  
Category : 2 GD; 2(1) GD M2  
Protection degree : IP65  
Ambient temperature: -40°C/+55°C on request



### Description:

CCF enclosures series consist of a rectangular body and a flat joint cover. The cover is secured to the box using Allen bolts (TCEI UNI 5931 cl. 8.8)  
The box is equipped with: small feet, protruding from the body, that can be used to secure the unit, (all but CCF OR on which they are applied by request), and internal and external ground screws.  
The CCF walls allow for a great variety of inlets.

### Materials and treatments:

Cast iron UNI/ISO 185 Q200 (G20 UNI 5007);  
Electrolytic zinc plating procedure.  
External painting RAL 9006 or RAL 7034;  
(other types of painting available on request).

### Technical drawings:

Fig. 1

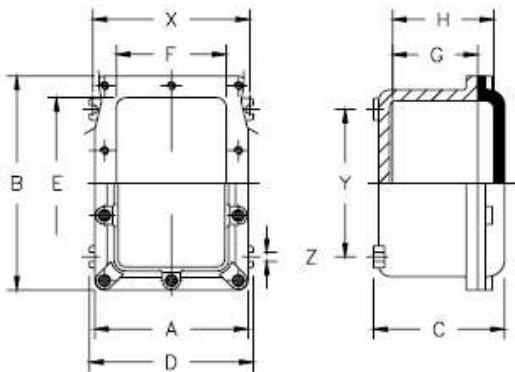
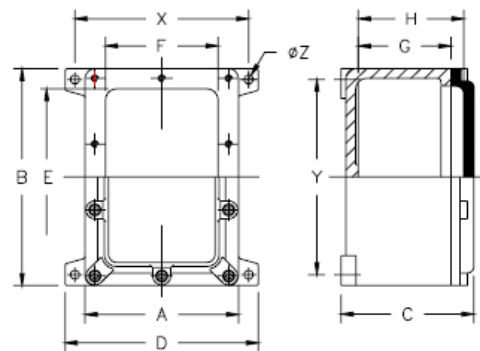


Fig. 2



Type	Fig,	Dimensions external				Dimensions internal				Fixing			Weight (Kg)	Mold steel tropicalized
		A	B	C	D	E	F	G	H	X	Y	Z		
CCF-0	1	226	296	165	245	233	165	105	127	225	225	11	24	225x155x2
CCF-OR		240	240	120	212	189	189	75	76	180	180	M8	18	180x180x2
CCF-1	2	230	328	265	295	268	167	197	220	260	295	13	45	260x155x2
CCF-1R		230	328	170	295	268	167	110	133	260	295	13	34	260x155x2
CCF-1RS		135	328	135	190	268	75	75	90	160	295	13	22	260x70x2
CCF-2		330	430	275	415	355	255	197	226	370	390	15	97	350x240x2
CCF-2R		330	430	180	415	355	255	105	134	370	390	15	73	350x240x2
CCF-2RS		190	430	175	255	365	125	100	120	225	390	15	45	350x120x2
CCF-3		444	644	345	540	560	360	275	310	490	580	15	179	550x350x3
CCF-3R		444	644	235	540	560	360	165	200	490	580	15	146	550x350x3