



## BAT86-160-120 ATEX LED Floodlight 120W

### Protection mode:

Type of protection: Ex II2 G Ex d IIB T6-T5 Gb  
Ex II2 D Ex tb IIIC T80° - T95°C Db IP66

Class of temperature: T6-T5

Protection degree: IP66

Ambient Temp : -40/+40°C (T6) -40/+55°C (T5)

Zones : 1-2-21-22

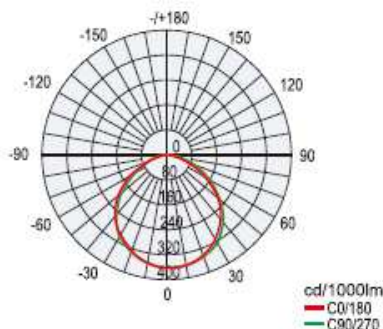


### Reference:

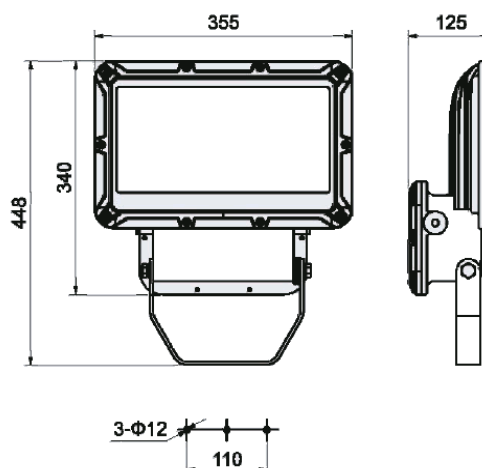
BAT86-160-120-G Floodlight 120W LED, fixation type: fixed

### BAT86-160-□□

Rated luminous flux  
120W LED: 11000lm  
160W LED: 15000lm



### Technical drawing:



<b>Conformity to standards</b>	EN 60079-0:2009, EN 60079-1:2007, EN 60079-31:2009 IEC 60079-0:2011, IEC 60079-1:2007, IEC 60079-31:2008
<b>Material</b>	
<b>Enclosure</b>	Copper free aluminium, powder coated surface, yellow RAL1021
<b>Glass cover</b>	Toughened glass, stands 4J impact
<b>Exposed fastener</b>	Stainless steel
<b>Lamp</b>	
<b>Lamp specification</b>	LED
<b>Lamp power (W)</b>	120W
<b>Rated voltage</b>	100-300VAC 50/60Hz
<b>Earthing protection</b>	M5 (internal & external earth bolts)
<b>Terminal</b>	3x 1,5-4mm <sup>2</sup> (L+N+PE)
<b>Mounting</b>	Fixed type
<b>Cable entries</b>	2x M25 x 1,5 plug
<b>Cable gland</b>	DQM-II (Ex d) or DQM-III (Ex d) is recommended
<b>Weight</b>	8,4kg