



Electric heater unit

Protection mode:

Type of protection: II2G, II2D, or II2GD
 Class of temperature: T3 or T4
 Protection degree: IP55
 Ambient Temp : -20/+40°C
 Zones : 1-2-21-22



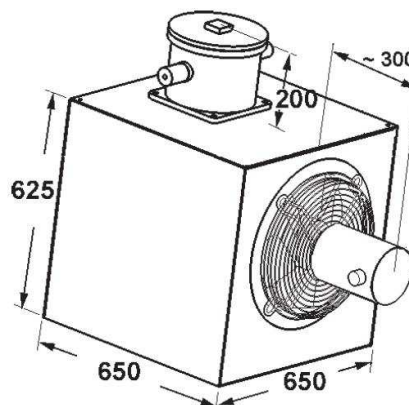
Description:

Heating office in hazardous area Gas (zone 1 or 2) or Dust (zones 21 or 22 in option).



Technical data:

- Galvanized steel sheet metal.
- Galvanized screws.
- Battery electric heater certified ATEX
- Safety thermostat to manual reset.
- 1 cable gland ATEX II 2GD EExd IIC (power).
- 1 cable gland ATEX II 2GD EExd IIC (control thermostat).
- Classification electrical battery ATEX : II2GD IIC T3 T210°C
- Moto-ventilator series EVXP ATEX.
- Voltage three phases 230/400V 50Hz.



Type	Electric Power	Speed motor tr/min	Air flow m³/h	Power kW	CODE	CODE	CODE	CODE	CODE
					II 2G IIB T3	II 2G IIC T3	II 2D T210	II 2GD IBT3 T210	II 2GD ICT3 T210
AL ATEX 6 G EVXP ATEX 315-35°	6	1000	1200	0.18	552.001	552.006	552.011	552.016	552.021
AL ATEX 9 G EVXP ATEX 400-45°	9	1000	1800	0.18	552.002	552.007	552.012	552.017	552.022
AL ATEX 12 G EVXP ATEX 450-35°	12	1000	2400	0.18	552.003	552.008	552.013	552.018	552.023
AL ATEX 15 G EVXP ATEX 450-35°	15	1000	3000	0.18	552.004	552.009	552.014	552.019	552.024
AL ATEX 18 G EVXP ATEX 450-40°	18	1000	3600	0.18	552.005	552.010	552.015	552.020	552.025
AL ATEX 22.5 G EVXP ATEX 560-35°	22.5	1000	4500	0.37	552.006	552.011	552.016	552.021	552.026