



AB Adapters

Protection mode:

Type de protection: II 2GD EEx d IIC
 Classe de temperature: T6-T4
 Indice de protection: LCIE 02 ATEX 6160 X
 Certificat:



Description:

The AB adapter allow the connection to ends of different diameters and thread. They are used to adapt the diameter among different entries.

Technicals data:

Materials:

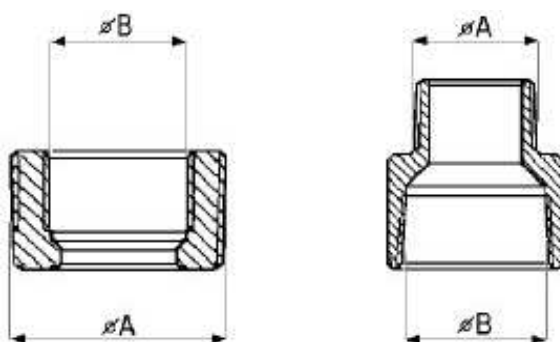
Body: brass.

On request:

Version EExe.

Other materials : stainless steel, nickel plated brass.

Technical drawing:



Type							
	a	male	b	c	female	d	e
AB		- M			- F		

Form the code replacing the blank cells (a,b,c,d,e) with the letter relevant to the available option listed under each position.
 Example: AB-M20M-F2N = body in brass, thread M20x1.5 male, 3/4" NPT female.

a	b	c	d	e
Protection	Thread Male diameter (ØA)	Type of thread male	Thread Female diameter (ØB)	Type of thread female
K = nickel plated	For thread UNI6125 / ISO228 / NPT: 1 = 1/2" 2 = 3/4" 3 = 1" 4 = 1.1/4" 5 = 1.1/2" 6 = 2" 7 = 2.1/2" 8 = 3" Write diameter for other thread	C = ISO 228 G = UNI 6125 (ISO 7/1) M = Mx1,5 ISO 261 N = NPT P = PG (DIN 40430)	For thread UNI6125 / ISO228 / NPT: 1 = 1/2" 2 = 3/4" 3 = 1" 4 = 1.1/4" 5 = 1.1/2" 6 = 2" 7 = 2.1/2" 8 = 3" Write diameter for other thread	C = ISO 228 G = UNI 6125 (ISO 7/1) M = Mx1,5 ISO 261 N = NPT P = PG (DIN 40430)